

**Agilent N2759A  
90000 Q-Series  
Oscilloscope Rack  
Mount Kit**

**Installation Guide**



**Agilent Technologies**

# Notices

© Agilent Technologies, Inc. 2012

No part of this manual may be reproduced in any form or by any means (including electronic storage and retrieval or translation into a foreign language) without prior agreement and written consent from Agilent Technologies, Inc. as governed by United States and international copyright laws.

## Manual Part Number

N2759-93101

## Edition

September 2012

Printed in Malaysia

Agilent Technologies, Inc.  
1900 Garden of the Gods Road  
Colorado Springs, CO 80907 USA

## Warranty

**The material contained in this document is provided “as is,” and is subject to being changed, without notice, in future editions. Further, to the maximum extent permitted by applicable law, Agilent disclaims all warranties, either express or implied, with regard to this manual and any information contained herein, including but not limited to the implied warranties of merchantability and fitness for a particular purpose. Agilent shall not be liable for errors or for incidental or consequential damages in connection with the furnishing, use, or performance of this document or of any information contained herein. Should Agilent and the user have a separate written agreement with warranty terms covering the material in this document that conflict with these terms, the warranty terms in the separate agreement shall control.**

## Technology Licenses

The hardware and/or software described in this document are furnished under a license and may be used or copied only in accordance with the terms of such license.

## Restricted Rights Legend

If software is for use in the performance of a U.S. Government prime contract or subcontract, Software is delivered and licensed as “Commercial computer software” as defined in DFAR 252.227-7014 (June 1995), or as a “commercial item” as defined in FAR 2.101(a) or as “Restricted computer software” as defined in FAR 52.227-19 (June 1987) or any equivalent agency regulation or contract clause. Use, duplication or disclosure of Software is subject to Agilent Technologies’ standard commercial license terms, and non-DOD Departments and Agencies of the U.S. Government will receive no greater than Restricted Rights as

defined in FAR 52.227-19(c)(1-2) (June 1987). U.S. Government users will receive no greater than Limited Rights as defined in FAR 52.227-14 (June 1987) or DFAR 252.227-7015 (b)(2) (November 1995), as applicable in any technical data.

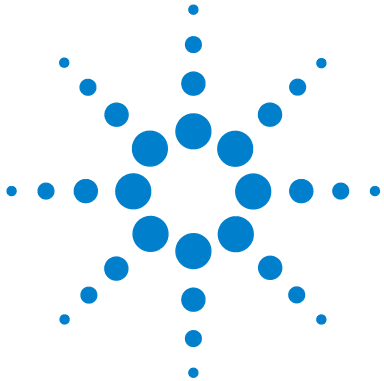
## Safety Notices

### CAUTION

A **CAUTION** notice denotes a hazard. It calls attention to an operating procedure, practice, or the like that, if not correctly performed or adhered to, could result in damage to the product or loss of important data. Do not proceed beyond a **CAUTION** notice until the indicated conditions are fully understood and met.

### WARNING

A **WARNING** notice denotes a hazard. It calls attention to an operating procedure, practice, or the like that, if not correctly performed or adhered to, could result in personal injury or death. Do not proceed beyond a **WARNING** notice until the indicated conditions are fully understood and met.



## Installation

- Step 1 – Identify 7U of rack space for instrument 4
- Step 2 – Attach rails to rack 5
- Step 3 – Remove handles and bottom feet from the instrument 6
- Step 4 – Attach rails to instrument 7
- Step 5 – Slide the instrument into the rack 8
- Step 6 – Secure the rear of the instrument 9
- Step 7 – Attach trim plates 10

This guide contains instructions for installing the 90000 Q-Series Oscilloscope Rack Mount Kit. This kit provides hardware for mounting Agilent 90000 Q-Series oscilloscopes into Electronic Industries Association (EIA) standard 19-inch (487-mm) rack cabinets.

### Required Tools

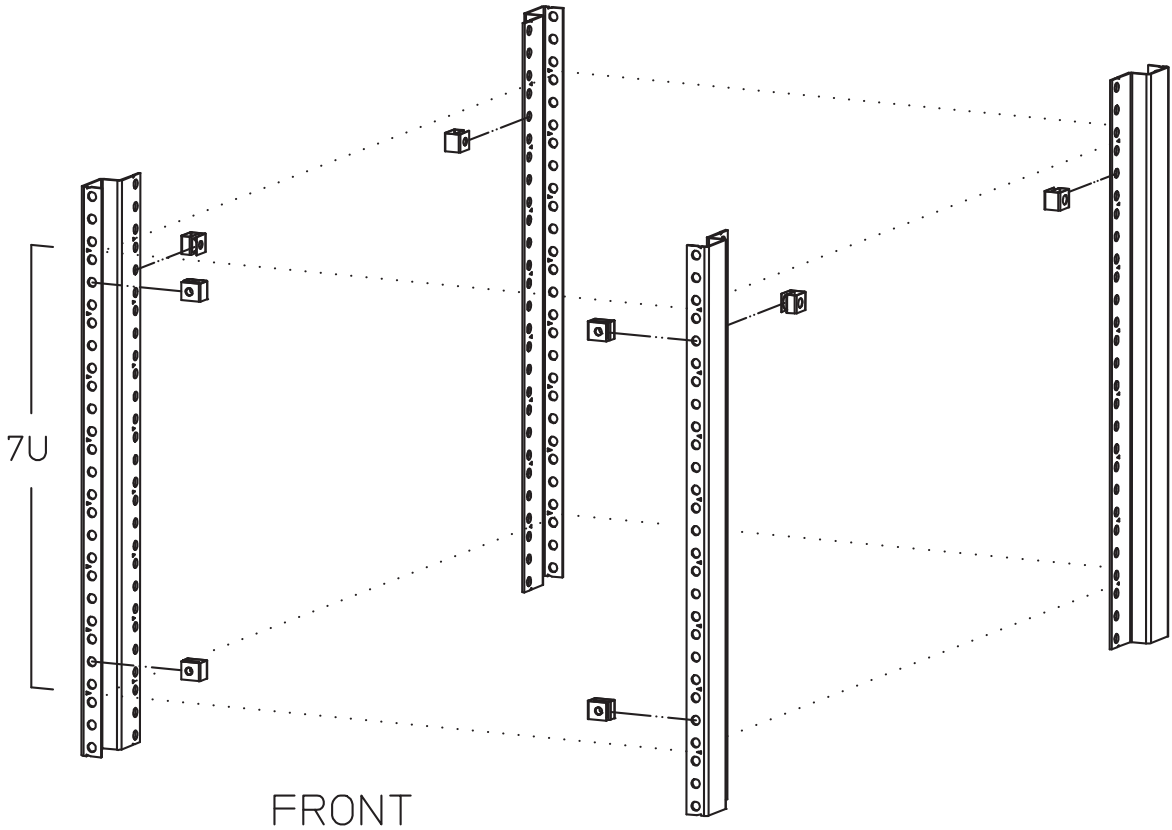
You will need the following tools to install the rackmount kit:

- T20 TORX driver.
- #2 Phillips screwdriver.
- Flathead screwdriver.



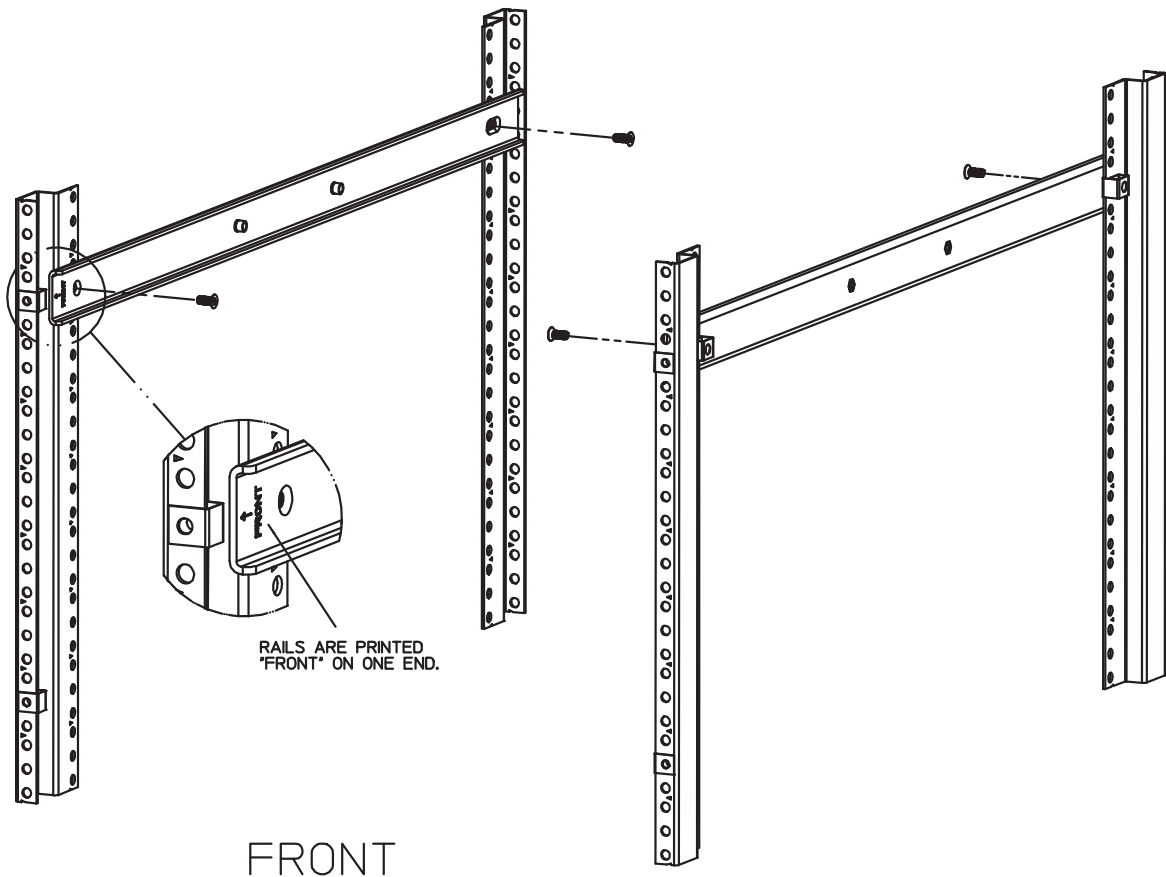
## Step 1 – Identify 7U of rack space for instrument

Snap on sheet metal fasteners 0590-0804 in the eight locations shown.



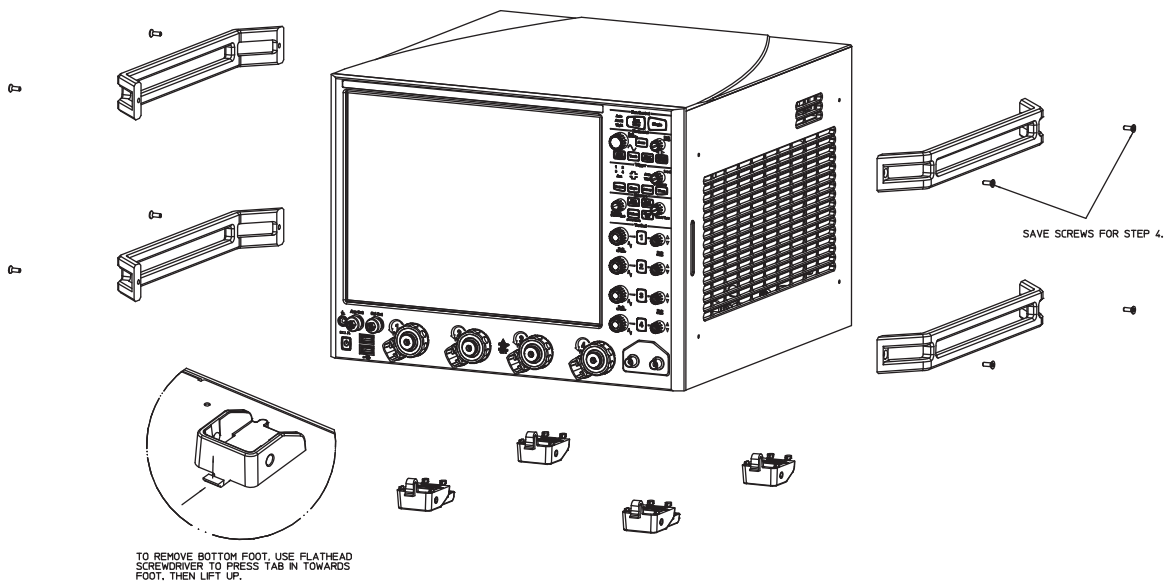
## Step 2 – Attach rails to rack

Attach rails N2759-03702 as shown using four of the #10-32 flathead fasteners 2510-0283. Ends marked “front” must be aligned as shown towards the front of the rack.



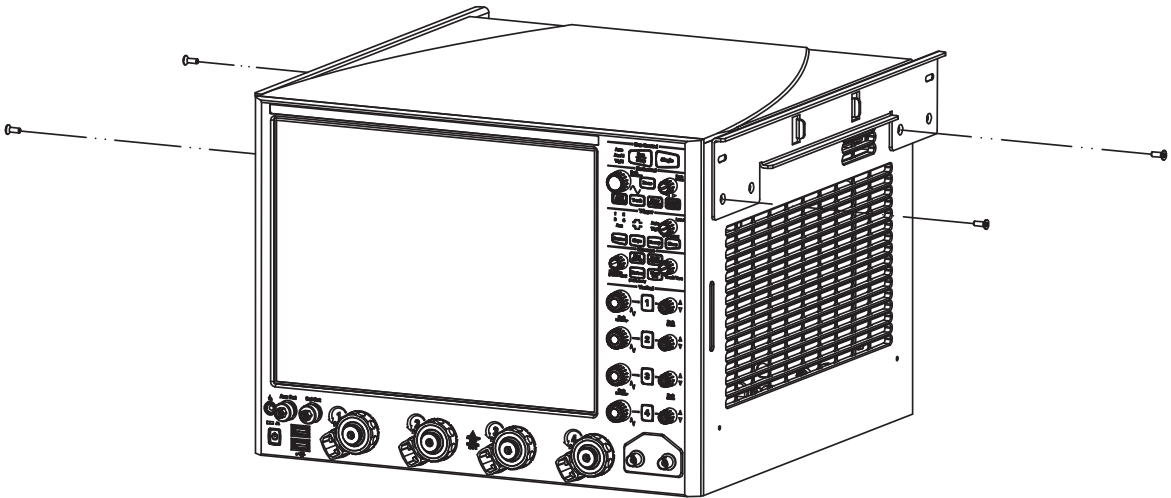
## Step 3 – Remove handles and bottom feet from the instrument

Save screws for Step 4.



## Step 4 – Attach rails to instrument

Attach rails N2759-03701 to the instrument's top handle holes using four of the screws from Step 3.

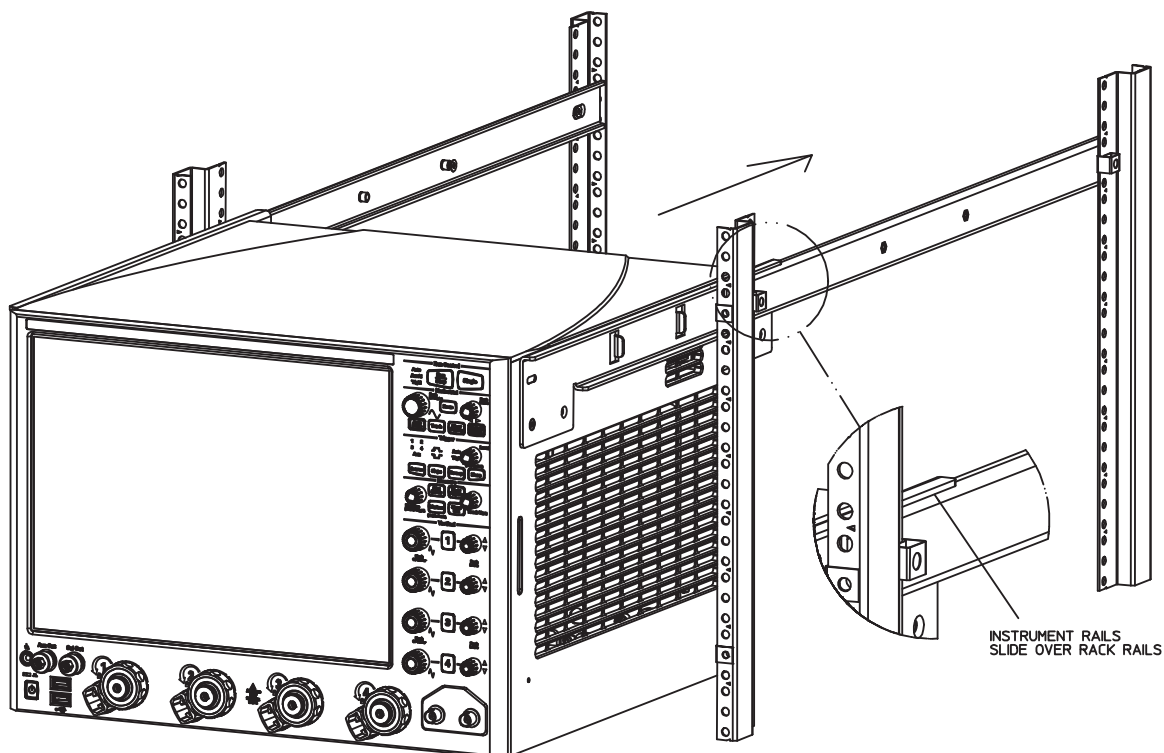


## Step 5 – Slide the instrument into the rack

**CAUTION**

Two people are required to lift the instrument.

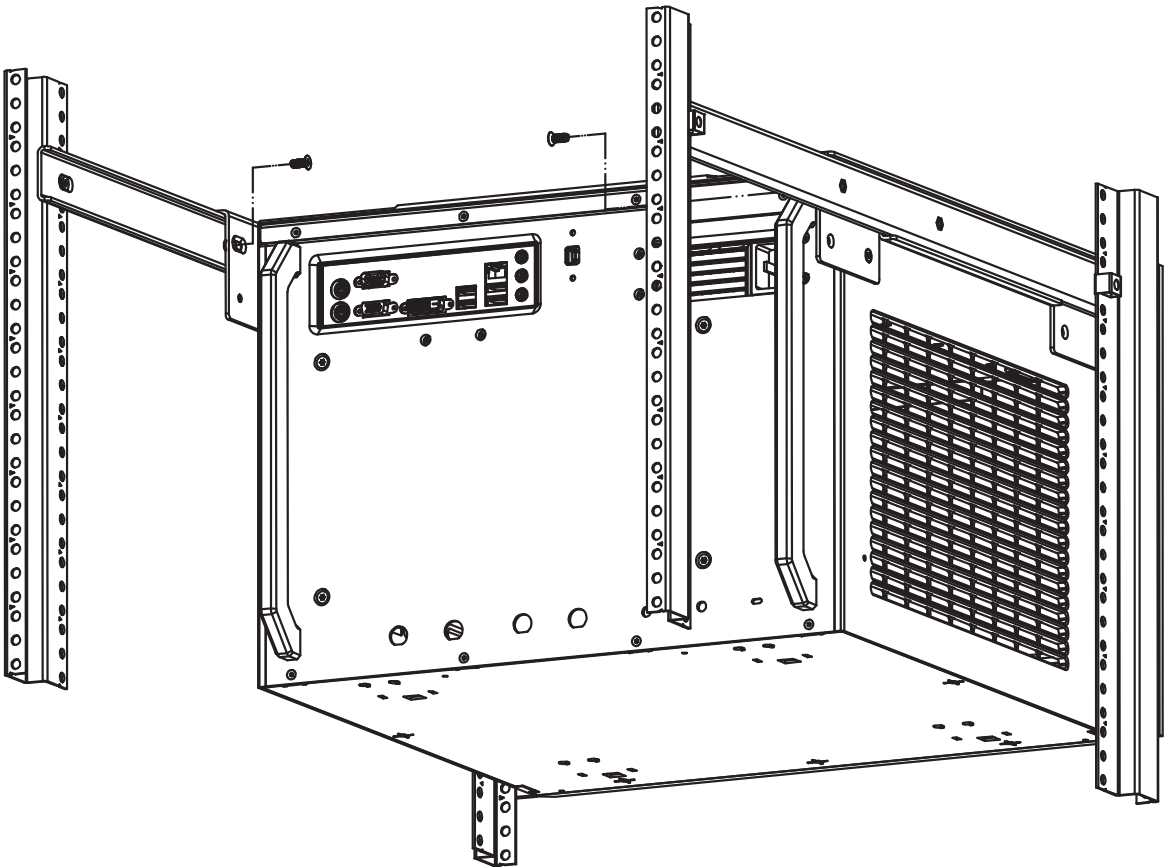
Slide the instrument into the rack as shown. The instrument will stop when it reaches the proper depth.





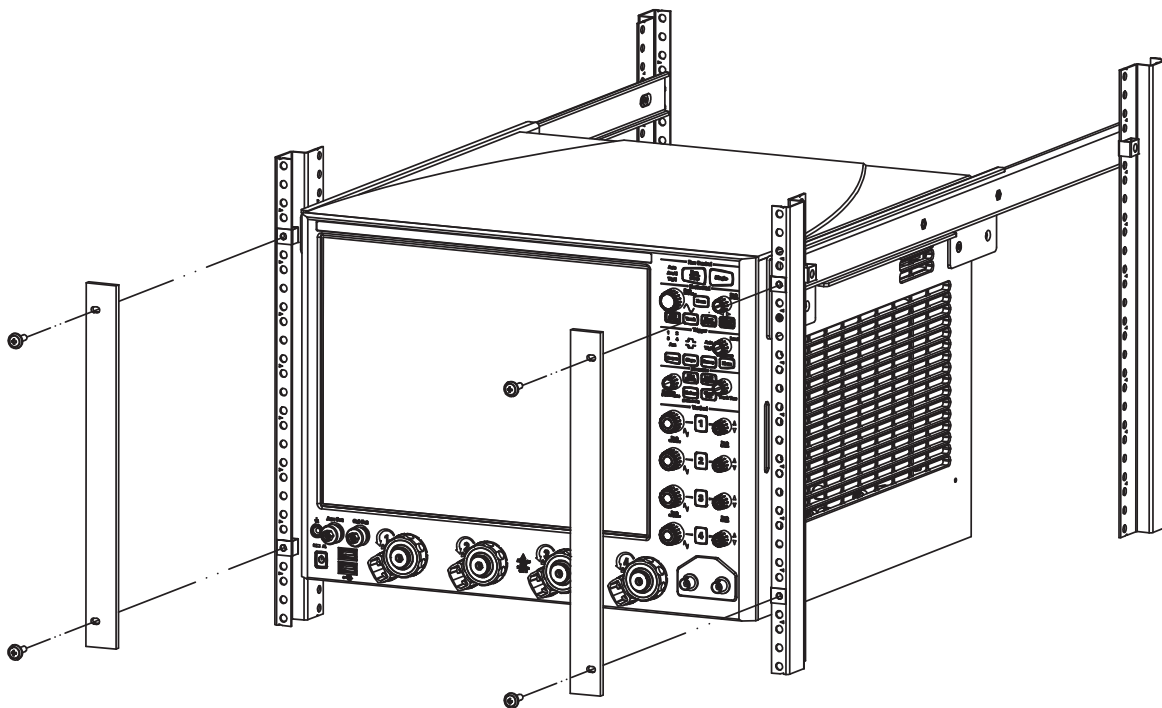
## Step 6 – Secure the rear of the instrument

Secure the rear of the instrument as shown using two of the #10-32 flathead fasteners 2510-0283.



## Step 7 – Attach trim plates

Attach trim plates N2759-24101 using four decorative fasteners 0570-1366.





Agilent Technologies  
Printed in Malaysia

Manual Part Number  
N2759-93101

