

Agilent E74xx Software Installation Procedure



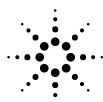
Agilent Technologies

Agilent E74xx Option K01, software upgrade

Before you begin installing the software, ensure that your computer system is configured with the minimum requirements. Check “Personal Computer Recommendations, Minimum” in the System Information Guide for details.

To Install New Software, Follow These Steps

Do This	See This
1 Insert the CD-ROM into the CD-ROM drive, choose Start>Run , and type d:\setup where d: is the drive containing the software CD-ROM. Click OK .	A Welcome dialog box appears instructing you to close any currently running Windows applications before you begin installation.
2 Click Next when you are ready to continue the installation. Type your name and the name of the company you work for, then click Next .	The “Choose Destination Location” dialog box appears. The default folder for installation is C:\Program Files\Agilent Technologies\E74xx (depending on the system you’re installing).
3 If you wish to install the program in a folder other than the default, click Browse to display text. When the correct destination folder appears in the field, click Next .	The Setup Type box appears.
4 Select the language in which you would like to see the online help and tutorial displayed , and click Next .	For more information see Getting Started Guide.
5 Select the type of installation you want: typical, compact, or custom, and click Next . <ul style="list-style-type: none">•Typical: Includes Agilent E74xx application, online help files, tutorial and documentation.•Compact: Includes Agilent E74xx application and online help files•Custom: Lets you select individual components.	The Destination Folder box appears. Agilent Technologies recommends using the Typical installation. Refer to the Getting Started Guide to see if you have enough disk space available to perform the Typical installation before proceeding.
6 Select the destination folder for the program. The default folder is “C:\Program Files\Agilent Technologies\E74xx” or you can select a different folder that can be found on your system. Click Next .	The list of folders found on your system is displayed. Agilent Technologies recommends using the default folder
7 Read the list of software installation options and check that Setup Type, Target Folder, and User Information are correct, and click Next .	The software installs from CD to PC.
8 Click Finish to complete the installation.	Depending on the files installed or updated you may be prompted to reboot your system.



NOTE

It is recommended that new users go through the online tutorial before using the software. Refer to the Getting Started Guide for instructions on running the online tutorial.

When you run the software, disable the Windows 95 Advanced Power Management Support capabilities to significantly improve the performance of the system.

To Remove Older Software Versions

If you have a previous version of the software and encounter problems during the installation procedure, it is recommended to remove all older installed files and start again. Use the following procedure for removing older versions of the software.

Do This	See This
1 Choose Start>Settings>Control Panel	This will display the control panel window.
2 Double click on the Add/Remove Programs icon	This will start the Add/Remove Program Properties window.
3 Scroll down the list of registered programs until you see the Agilent E74xx software. Click once on the program name.	The Add/Remove button will then become active.
4 Click on the Add/Remove... button. Confirm you want to remove the software.	This will start the removing procedure. A window will appear showing the uninstalling wizard and a tick will appear next to each program component deleted. Note: You may be asked to remove a shared file. Click Yes To All
5 Once the removal procedure has been completed, click the OK button.	
6 Close the Add/Remove Program Properties window.	
7 Re-try the installation procedure.	If the installation fails again, contact your local Agilent representative.



Upgrading the Receiver Firmware

Sometimes a software update also requires a receiver firmware update. With the software update installed, when you run the updated software and select Collection mode, you will be notified if a receiver firmware update is required. A series of messages will walk you through the firmware update process. Before you update the firmware, you must first insert a firmware write enable key (E6450-60007) into the RX LOOP OUT connector, then follow the instructions on the screen. Remember to remove and safely store the firmware write enable key when you are prompted to do so by the software.

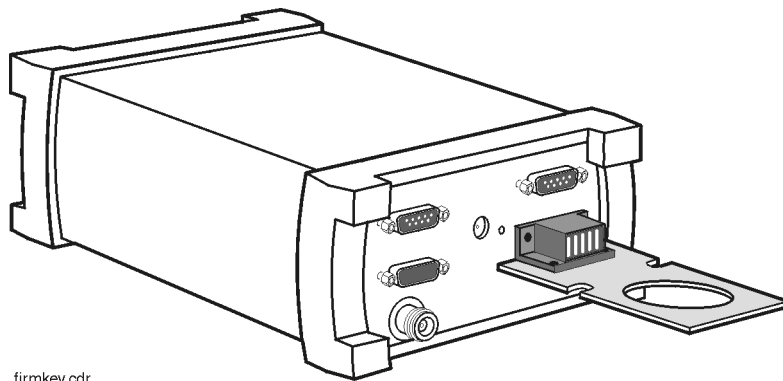


Figure 1 Firmware Write Enable Key

Replacement Firmware Security Key

If you have misplaced your firmware write enable key, you can order a new one (order from your Agilent representative, E6450-60007), or you can substitute a piece of wire that shorts pins 8 to 10 on the RX LOOP OUT connector. Remember to follow on screen instructions, and remove the wire when you are prompted by the software.

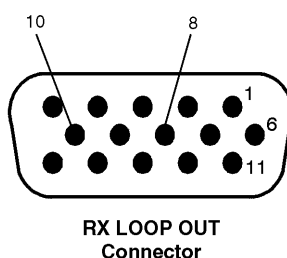


Figure 2 Short These Pins to Update the Firmware

Details on this process can be found on the product web site:

<http://www.agilent.com/find/networks>



E7475-90002



Agilent Technologies

November 2000